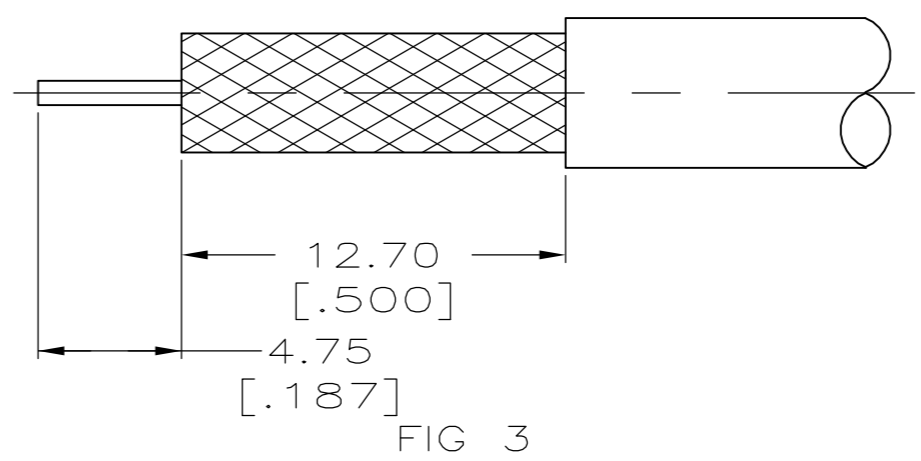
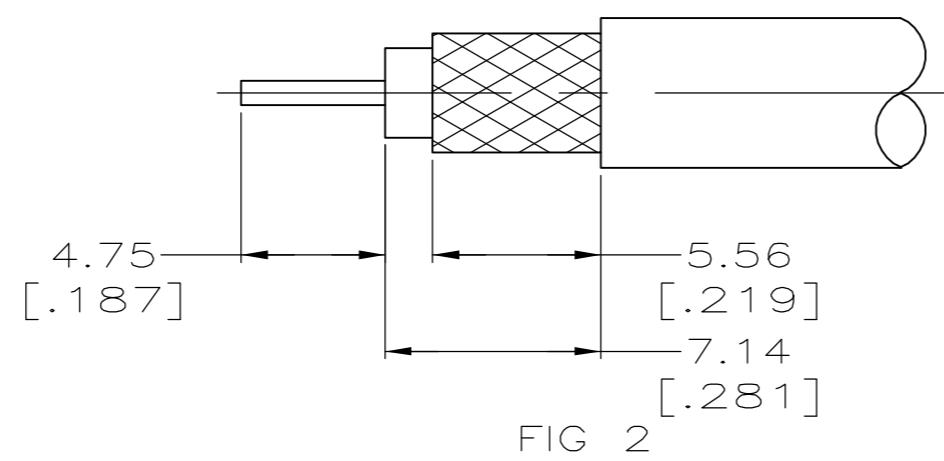
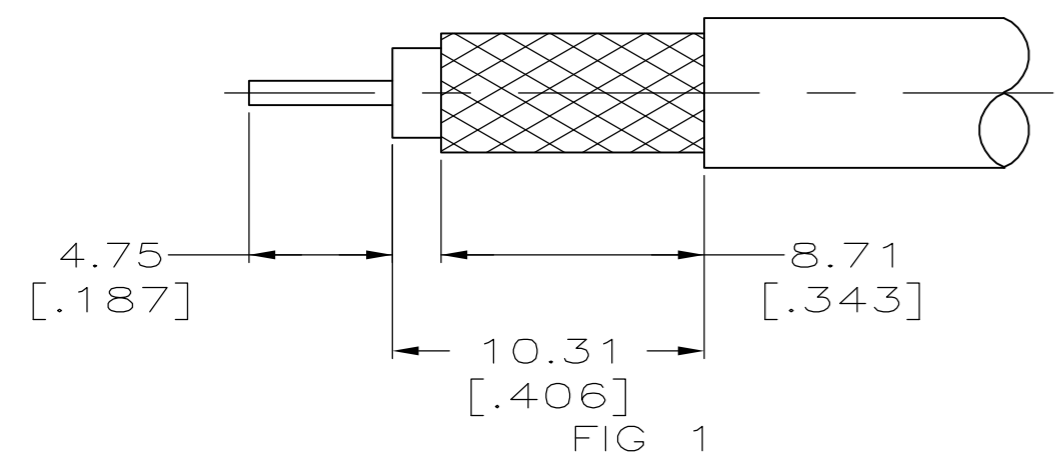
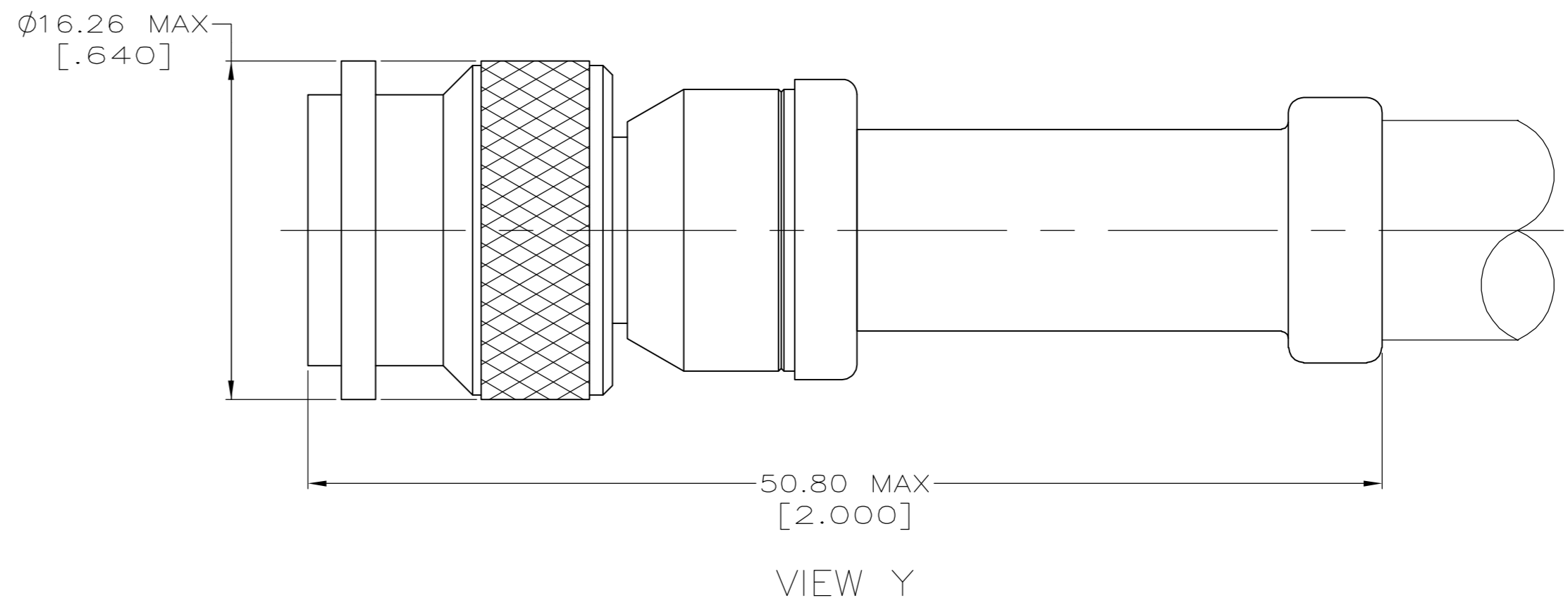
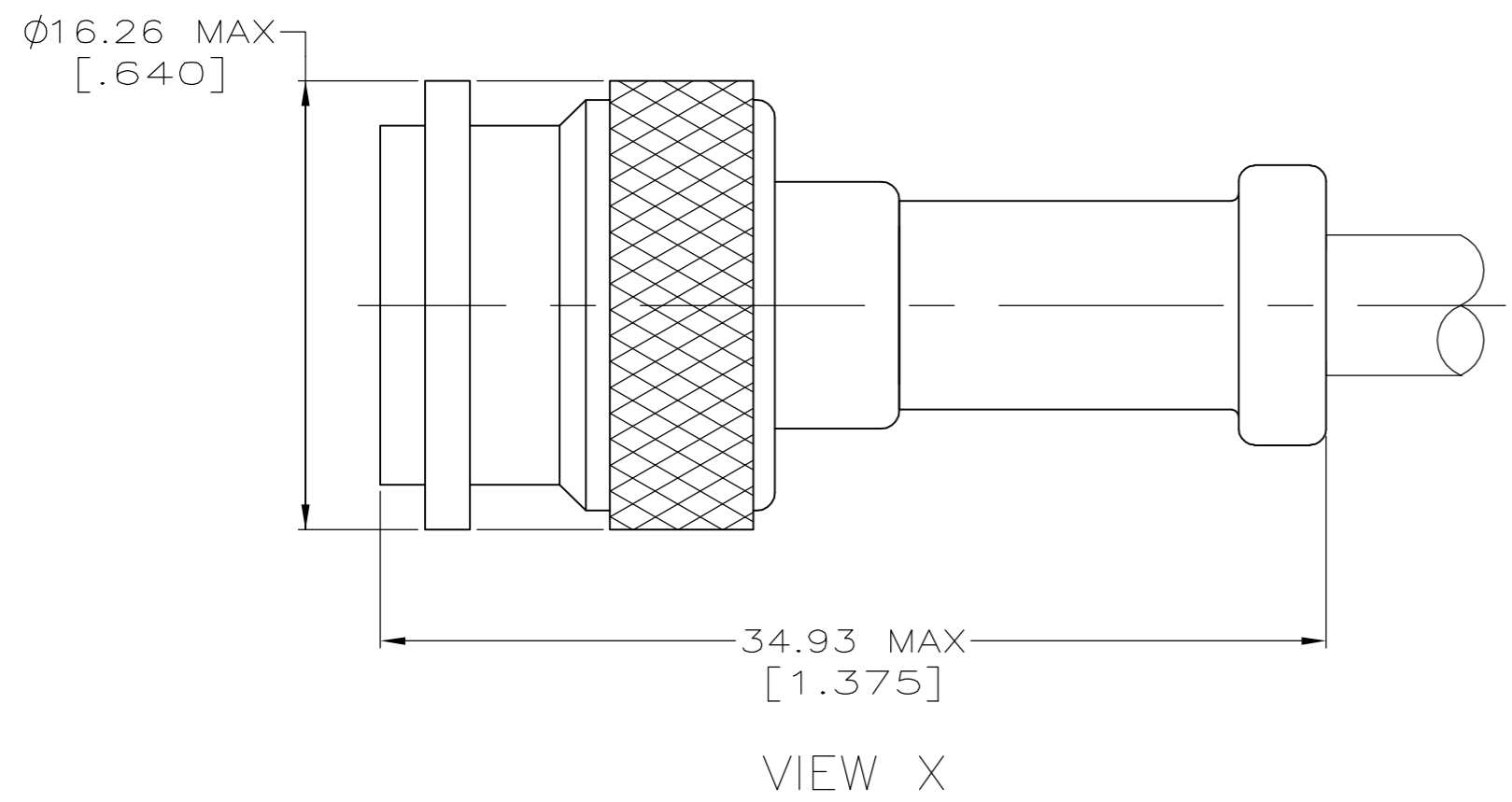


THIS DRAWING IS UNPUBLISHED. RELEASED FOR PUBLICATION
 © COPYRIGHT BY TYCO ELECTRONICS CORPORATION. ALL RIGHTS RESERVED.

Loc		DIST		REVISIONS			
P	LTR	DESCRIPTION	DATE	DWN	APVD		
AJ	00	H2	REV PER ECO 06-029805	2/6/2007	DW	JL	

1. SEE I.S. 2299-1



RECOMMENDED STRIP LENGTH

OBSOLETE	RG-8/U, 8A/U, 213/U	3	220015-1	332022	9-331987-0	225596-2	5-225593-0	Y	9-225555-0
OBSOLETE	RG-115A/U	3	220015-1	332022	9-331987-0	225596-2	5-225593-1	Y	225555-9
OBSOLETE	RG-9/U, 9A/U, 9B/U, 214/U	3	220015-1	332022	9-331987-1	225596-2	5-225593-0	Y	225555-8
	RG-8/U, 8A/U, 213/U	3	220015-1	332022	9-331987-0	225596-2	5-225593-0	Y	225555-7
	RG-142/U, 142A/U, 142B/U	1	220045-2	225592-2	9-225560-0	225467-6	225457-2	X	225555-6
OBSOLETE	RG-141/U, 141A/U	1	220045-2	225592-1	9-225560-1	225467-6	225457-2	X	225555-5
OBSOLETE	RG-59B/U, 62B/U	2	220045-3	225592-3	9-225560-2	225467-4	225457-4	X	225555-3
	RG-58A/U, 58C/U	1	220045-2	225592-1	9-225560-1	225467-2	225457-2	X	225555-2

FOR USE WITH CABLE	FIGURE	CRIMP TOOL	④	SEAL QTY=1	③	FERRULE QTY=1	②	CONTACT QTY=1	①	PLUG ASSEMBLY QTY=1	VIEW	PART NUMBER
--------------------	--------	------------	---	------------	---	---------------	---	---------------	---	---------------------	------	-------------

THIS DRAWING IS A CONTROLLED DOCUMENT.

DIMENSIONS: mm [INCHES]	TOLERANCES UNLESS OTHERWISE SPECIFIED: 0 PLC ± - 1 PLC ± - 2 PLC ± .025 [.010] 3 PLC ± - 4 PLC ± - ANGLES ± - FINISH	DWN M. E. COWHER 3-9-92 CHK W. R. GRAY 3-16-92 APVD M. PHILLIPS 3-16-92 PRODUCT SPEC APPLICATION SPEC WEIGHT - CUSTOMER DRAWING	Tyco Electronics Corporation Harrisburg, PA 17105-3608 PLUG, DUAL CRIMP, TNC SIZE A2 CAGE CODE 00779 DRAWING NO C=225555 RESTRICTED TO - SCALE 4:1 SHEET 1 of 1 REV H2
----------------------------	---	---	--